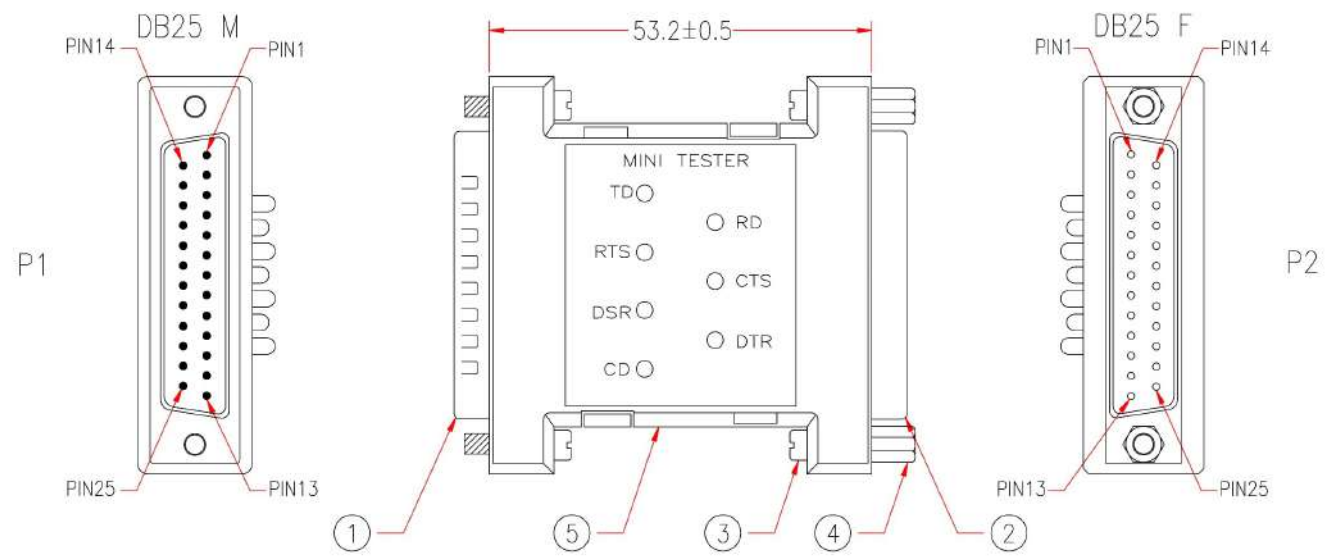
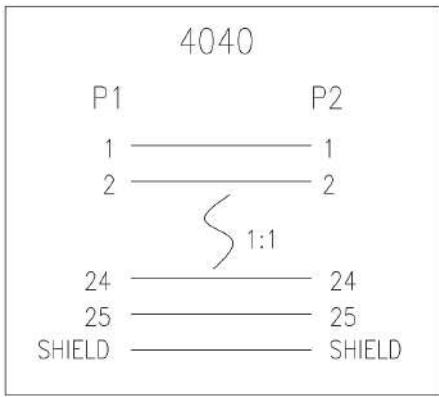


Customer NO: \_\_\_\_\_



NOTE: All relevant materials are complied with RoHS directive .



5	ALUMINUM LABEL	1	M10
	DB25 PIN METALIZED PLASTIC HOOD	1set	M16
	CARBON FILM RESISTORS, 3K 1/4W OHM	7	M816
	LED COLOR WHITE	7	M881
	PCB: MSL-2	1	M730
4	HEX-NUT 5*6.6mm	2	M95
3	SCREW 4*12.5mm, #4-40, ASSEMBLY TYPE	4	M95
2	DB25 FEMALE, GOLD FLASH ON CONTACTS, BLUE INSULATOR	1	M108
1	DB25 MALE, GOLD FLASH ON CONTACTS, BLUE INSULATOR	1	M108
No.	DESCRIPTION	Q'TY	Supplier

APPROVED		 <b>CompuCableUSA</b> Providing Connectivity Solutions	Cable Length Unless Other Spec. Tolerances: 0 ~200mm ±10mm 201~1000mm ±20mm 1001 ~1500mm ±25mm 1501~2100mm ±30mm 2100mm↑ ±40mm
CHECKED	TIAN		
DRAWING	TAN		
DATE	08/MAR/08	ITEM NO.	DST-25MF-MT & DST-25MF-MT-MF
CHECKED		UNIT:mm	